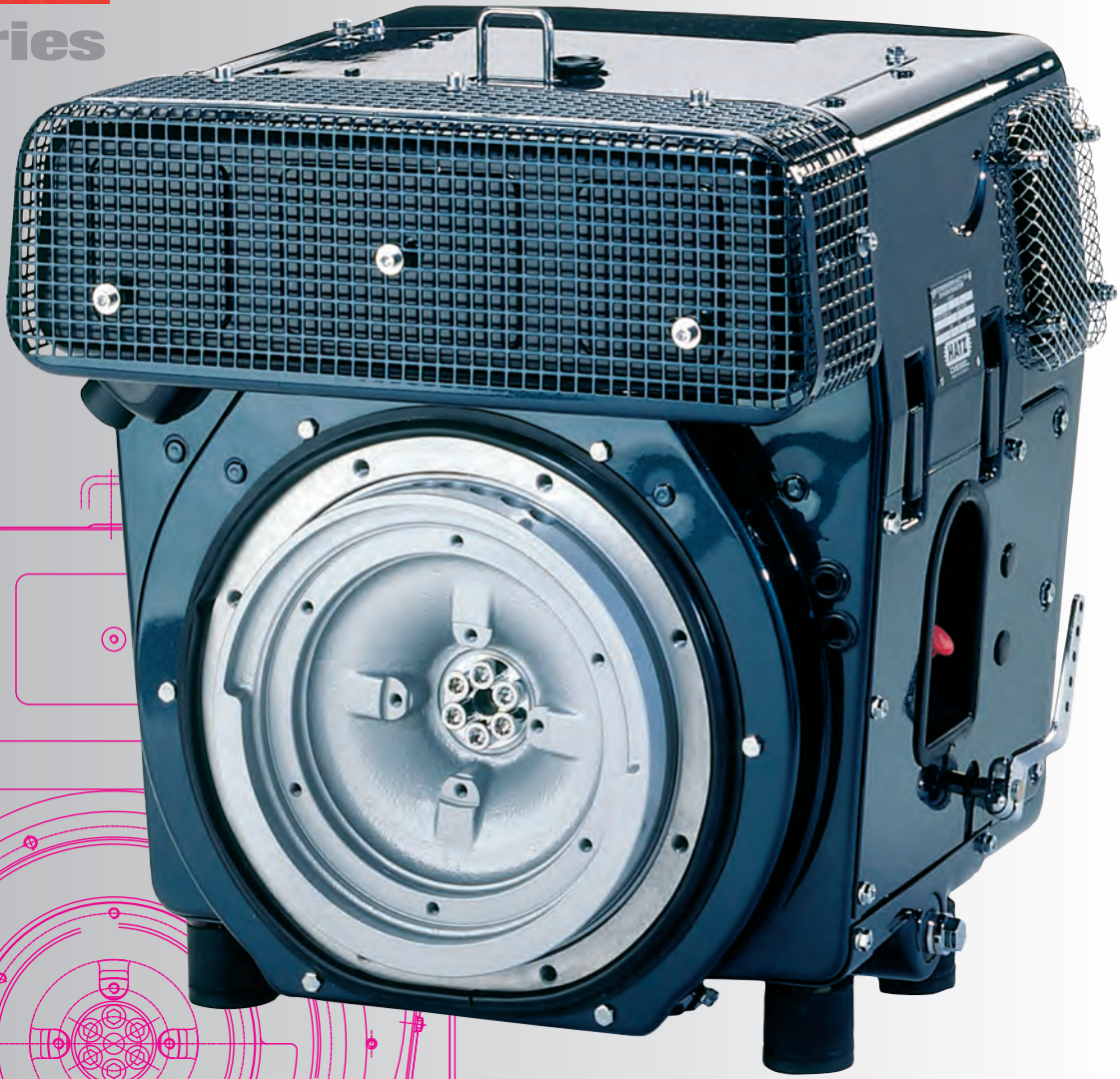




D-series



1D42C • 2.4 - 5.2 kW 1D81C • 4.9 - 9.6 kW

SUPRA SILENT PACK

THE ENCAPSULATED SINGLE-CYLINDER DIESEL ENGINE

1D42C • 1D81C

DESIGN

- Aircooled single-cylinder fourstroke Diesel engines.
- Vertical cylinder.
- Crankcase in light alloy, diecasting. Cylinder of grey cast iron.
- Cylinder head in light alloy.
- Crankcase and big end in slide bearings.
- Direct injection, multi-hole nozzle.
- Valve control via camshaft rocker and pushrods.
- Pressure lubrication, with gear oil pump, oil filter in main flow.
- Flywheel fan, charging alternator integrated in the flywheel. No V-belt necessary.
- Standard engine with noise-proof capsule of sheet metal — SUPRA Silent Pack.
- The exhaust System is integrated into the noise-proof capsule including a main- and an end silencer.

CHARACTERISTICS

- Although the engine is fully encapsulated, the characteristics of the basic engine are maintained.
 - operation and maintenance points are easy to reach.
 - low fuel consumption
 - Favourable exhaust gas values below — EPA / CARB certified.
 - Robust, long life engine.
 - Extensive interchangeability of parts within the engine family **D**.
 - Reliable: since no V-belts.
 - Easy to Service: because automatic injection pump bleeding.
 - Friendly to the environment: Ventilation of crankcase leads into the intake port.
 - Secure and effortless starting thanks to automatic extra fuel device.
 - Handstart or electric start available.
- The capsule reduces the engine noise by 95 % i.e. 12 SUPRA Silent Packs are as quiet as one non encapsulated engine.
- The capsule increases only slightly the installation volume of the engine.
- The capsule is smaller and more handy than other noise-reduction engine cowlings and it is just as efficient as expensive and heavy encapsulations of machines.
- The SUPRA Silent Packs allow the manufacture of generating sets with a noise power level of 100 dB_A at 3000 r.p.m. (100 L_{WA}).

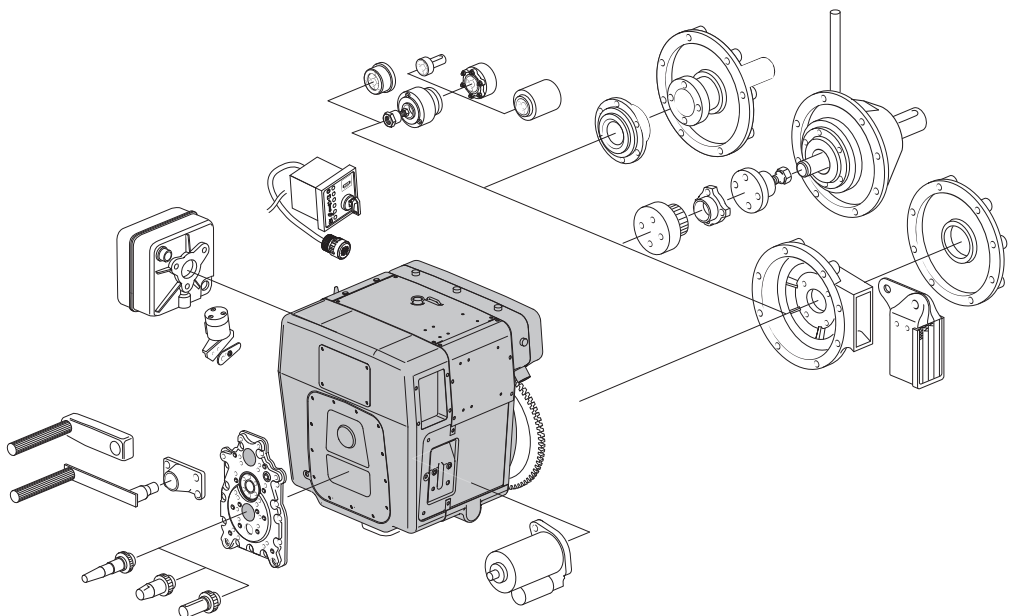
SUPRA SILENT PACK

EXHAUST REDUCED TYPES
ON REQUEST

EPA TIER IV
CARB TIER IV



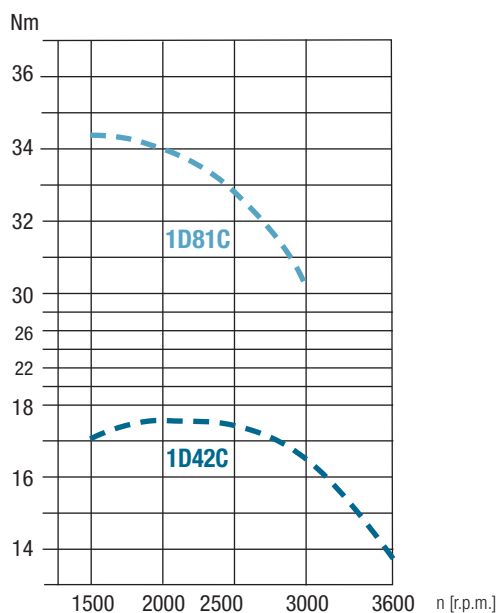
ADDITIONAL EQUIPMENT



TECHNICAL DATA		1D42C	1D81C
▶ Number of cylinders		1	1
▶ Bore x stroke	mm	90 x 70	100 x 85
	inches	3.54 x 2.76	3.94 x 3.35
▶ Displacement	l	0.445	0.667
	cu.in.	27.2	40.7
▶ Mean piston speed at 3000 r.p.m.	m/s	7.0	8.5
	ft/min	1378	1673
▶ Compression ratio		21.5	20.5
▶ Lub. oil consumption, related to full load		approx. 1% of fuel consumption	
▶ Lub. oil capacity max. / min.	l	1.2 / 0.8	1.9 / 1.0
	US qts	1.14 / 0.76	2.0 / 1.06
▶ Speed control	Idle speed	approx. 800 r.p.m.	
	static speed droop	approx. 5% at 3000 r.p.m.	

TORQUE

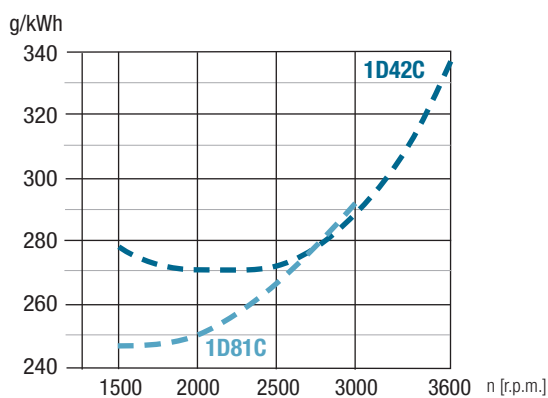
— = at NB-power according to ISO 3046-1



▶ Performance data refer to Standard Reference Conditions of ISO 3046-1: + 25 °C (77 °F), 100 kPa, relative humidity 30 %. During running-in period the output increases by approx. 5 % which is taken into consideration at delivery.
Power reduction acc. to ISO 3046-1.
Standard values:
Above 100 m ALT approx. 1 % per 100 m.
Above 25 °C (77 °F) approx. 4 % per 10 °C (50 °F).
The power taken from charging alternator also has to be added to the demand of power.

SPECIFIC FUEL CONSUMPTION

— = at NB-power according to ISO 3046-1



PERMISSIBLE LOAD ON POWER-TAKE-OFF POINTS

Max. permissible radial load

$$F1 = \frac{261\,000}{L1 \text{ (mm)} - 42} \text{ (N)}$$

If belt tension is upwards, outboard bearing is necessary - or contact HATZ

$$F2 = \frac{67\,500}{L2 \text{ (mm)} - 128} \text{ (N)}$$

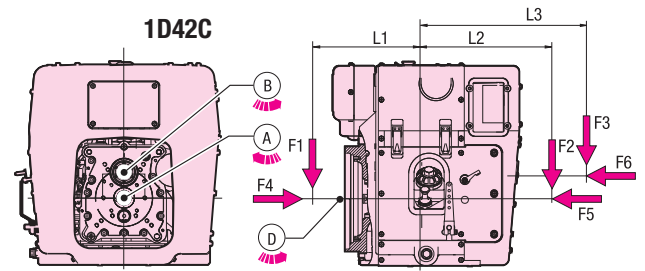
$$F3 = \frac{99\,000}{L3 \text{ (mm)} - 127} \text{ (N)}$$

Max. permissible axial force

$$F4 = 1260 \text{ N} \bullet F5 = 1080 \text{ N} \bullet F6 = 900 \text{ N}$$

Transmissible torque:

A: 100%, B: 100%, D: 100%



Max. permissible radial load

$$F1 = \frac{477\,000}{L1 \text{ (mm)} - 50.5} \text{ (N)}$$

If belt tension is upwards, outboard bearing is necessary - or contact HATZ

$$F2 = \frac{67\,500}{L2 \text{ (mm)} - 134} \text{ (N)}$$

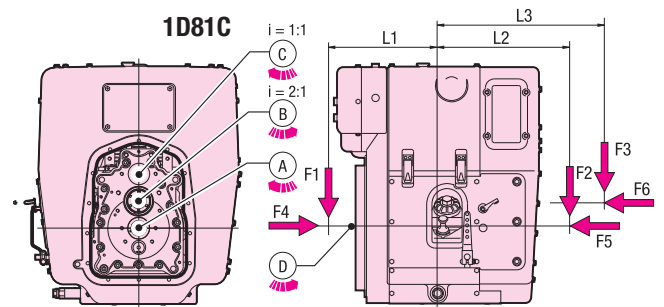
$$F3 = \frac{99\,000}{L3 \text{ (mm)} - 127} \text{ (N)}$$

Max. permissible axial force

$$F4 = 2250 \text{ N} \bullet F5 = 1350 \text{ N} \bullet F6 = 900 \text{ N}$$

Transmissible torque:

A: 100% • B: 43.0 Nm = 6.8 kW at 1500 r.p.m.
C: 21.5 Nm = 6.8 kW at 3000 r.p.m. • D: 100%

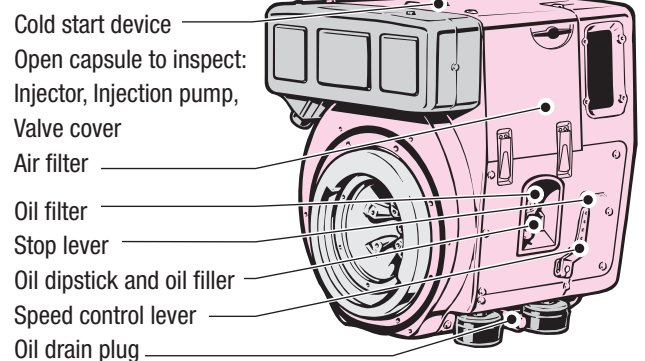


MAINTENANCE AND OPERATING POINTS

For the engine to achieve its maximum life, it is essential for it to be serviced meticulously at regular intervals.

The better the accessibility, the more promptly and conscientiously the engine will be maintained.

Please convince yourself personally that all service and operation points are easily accessible before delivering your machine to the customer.



ELECTRICAL EQUIPMENT

The engine-mounted components, such as starter, alternator and switches, are connected to the instrument box by means of a 2 m cable harness. The engine is started and controlled from this instrument box. Instrument box and cable harness are part of the additional equipment and supplied according to the number of electrical safety features which are required. If the engine has to

be started at temperatures below - 10 °C, it must be equipped with a pre-heating system (glow plug) (additional equipment). Further additional equipment includes automatic start and stop, remote control etc.

Please ask for drawings and wiring diagrams.

www.hatz-diesel.com

POWER-TAKE-OFF AND SENSE OF ROTATION

- Power-take-off at the flywheel with engine speed (figure 2 and 4).
- Power-take-off at the governor side, crankshaft A with engine speed, camshaft B with 1/2 engine speed, hydraulic pump mount C with engine speed (figure 1 and 3).
- Engine is flangeable at flywheel-side, but not self-supporting. (Standard- or SAE-Flange).

ENGINE MODELS

counter-clockwise (figure 2 and 4),
with 100 % balancing of the free mass forces of the 1st order.

ENGINE VARIANTS

- Engine with handstart on governor side, **heavy flywheel** (fig. 5).
- Engine with handstart on governor side, **standard flywheel** (fig. 5).
- Engine with electric start **12 V** or **24 V**, standard flywheel (fig. 6).

WEIGHT incl. air filter, and exhaust silencer

	handstart, heavy flywheel		handstart, standard flywheel		electric start 12 V or 24 V, standard flywheel	
	kg	lbs.	kg	lbs.	kg	lbs.
1D42C	97.0	213.8	93.0	205.0	100.0	220.4
1D81C	124.0	273.3	118.0	260.0	126.0	277.7

MOUNTING OF ENCAPSULATED ENGINE

- Flexible engine mountings are obligatory.
Flange-mounted units must also be mounted flexibly.

SCOPE OF DELIVERY OF ENGINE IN STANDARD EQUIPMENT

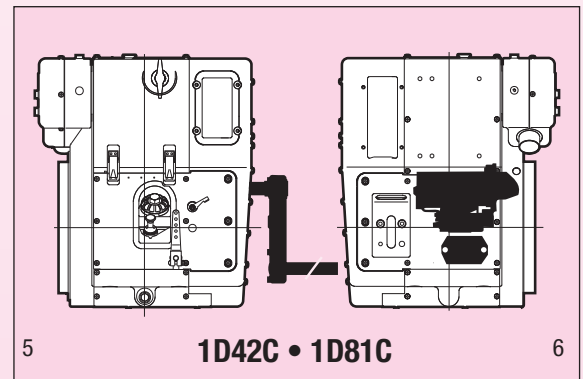
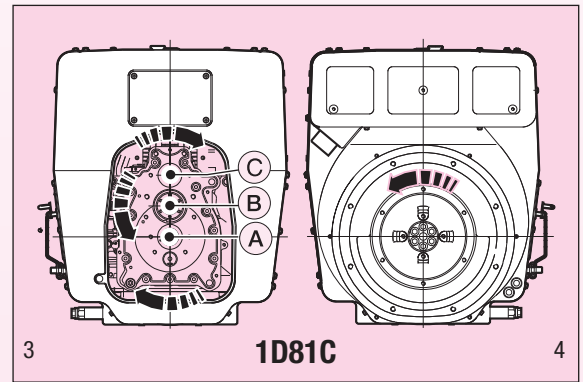
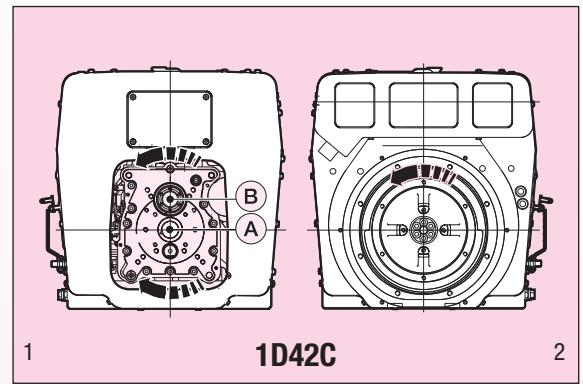
Engine tested for full load on test bench. Engine fitted with flywheel-fan, variable speed governor, dry-type air filter, automatic decompression, automatic extra fuel device, automatic bleeding, metering device for start oil, eye-hook for transport of engine (only to carry weight of the engine). Painting in HATZ standard colours. No oil in engine.

Additional equipment: Gaskets for 1st maintenance

ADDITIONAL EQUIPMENT

Thanks to the complete programme of additional equipment every engine can be adapted to the special requirements of every application. As a minimum, every engine needs the “additional equipment, necessary for operation”.

You find out details at our HATZ-contracting partners.



INSTALLATION DATA		1D42C	1D81C
▶ Combustion air required at 3000 r.p.m. approx. ¹⁾	m ³ / min	0.66	1.0
	cu.ft./min	23.3	35
▶ Cooling air required at 3000 r.p.m. approx. ¹⁾	m ³ / min	3.8	8.4
	cu.ft./min	134	297
▶ Moment of inertia	kgm ²	0.24 (0.28) ²⁾	0.51 (0.63) ²⁾
	lb.ft ²	5.67 (7.08) ²⁾	12.05 (7.08) ²⁾
▶ Starter		12 V - 2.0 kW • 24 V - 2.5 kW	12 V - 2.0 kW • 24 V - 2.5 kW
▶ Alternator charging current at 3000 / 1500 r.p.m.		14 V - approx. 9 A / 4 A • 28 V - approx. 5 A / 2 A	14 V - approx. 16 A / 5 A • 28 V - approx. 9 A / 4 A
▶ Battery capacity	min / max Ah	12 V - 45 / 88 Ah • 24 V - 36 / 55 Ah	12 V - 45 / 88 Ah • 24 V - 36 / 55 Ah

¹⁾ For other r.p.m. there is a linear reduction in the air requirement ²⁾ Variant heavy flywheel

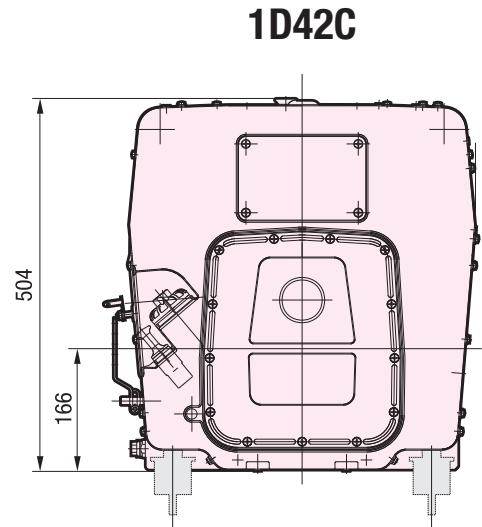
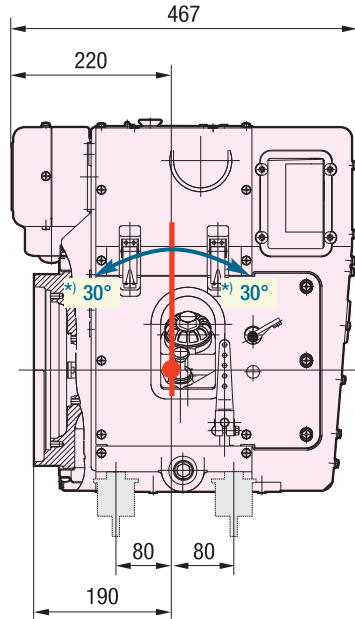
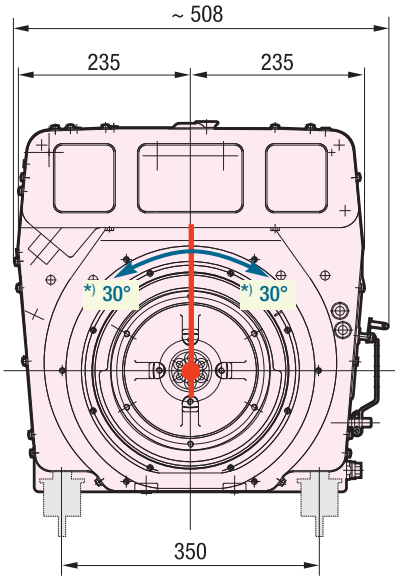
PERFORMANCE TABLE			1D42C		1D81C	
Norm	Hatz-Spec.	r.p.m.	kW*	HP*	kW*	HP*
▶ ISO net brake fuel stop power (IFN) for intermittent load acc. to ISO 3046-1.	NB	3600	5.2	7.1	–	–
		3000	5.2	7.1	9.6	13.1
		2600	4.7	6.4	8.8	12.0
		2300	4.2	5.7	8.1	11.0
		2000	3.7	5.0	7.1	9.7
		1800	3.3	4.5	6.5	8.8
		1500	2.7	3.7	5.4	7.3
▶ ISO-standard power (ICXN) (10% overload permissible) ▶ ISO-standard fuel stop power (no overload permissible) acc. to ISO 3046-1. For constant speed and constant load (ICFN).	NS (NA)	3600	4.7	6.4	–	–
		3000	4.7	6.4	8.9	12.1
		2600	4.3	5.8	8.0	10.9
		2300	3.8	5.2	7.4	10.1
		2000	3.4	4.6	6.5	8.8
		1800	3.0	4.1	5.9	8.0
		1500	2.4	3.3	4.9	6.7

* Performance specifications without exhaust certificates. Performance tables with exhaust certificates upon request.

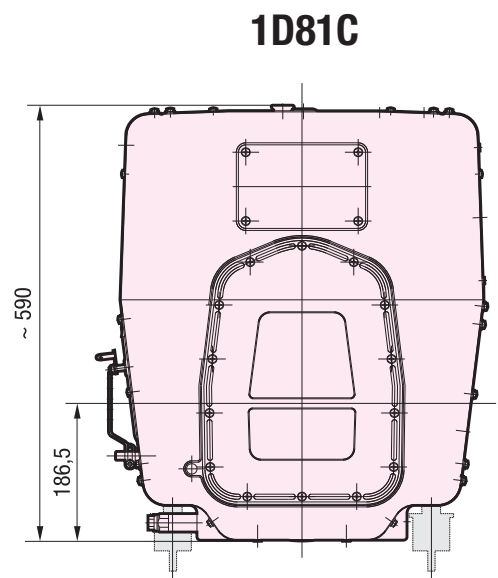
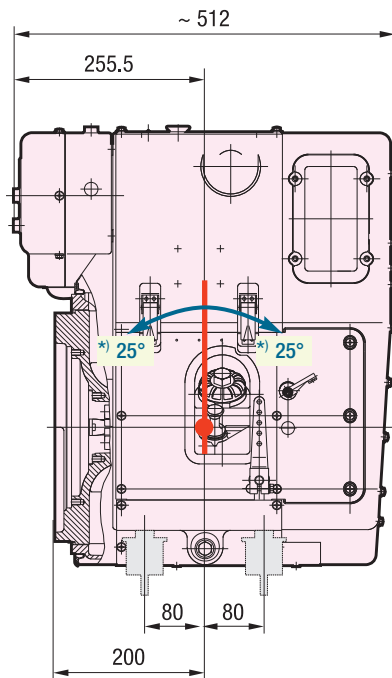
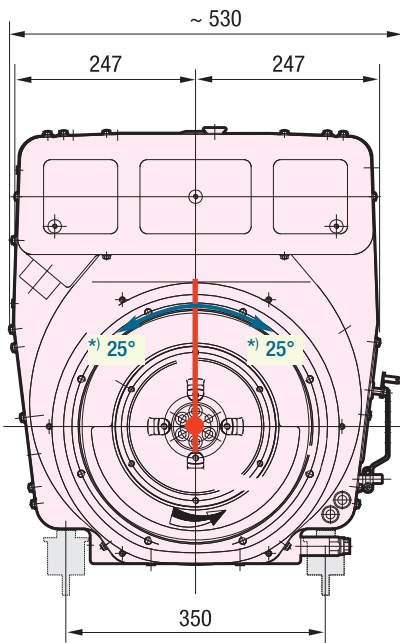
DIMENSIONS

Spread at outlines ± 3 mm due to tolerance.

*) max. permanent tilting

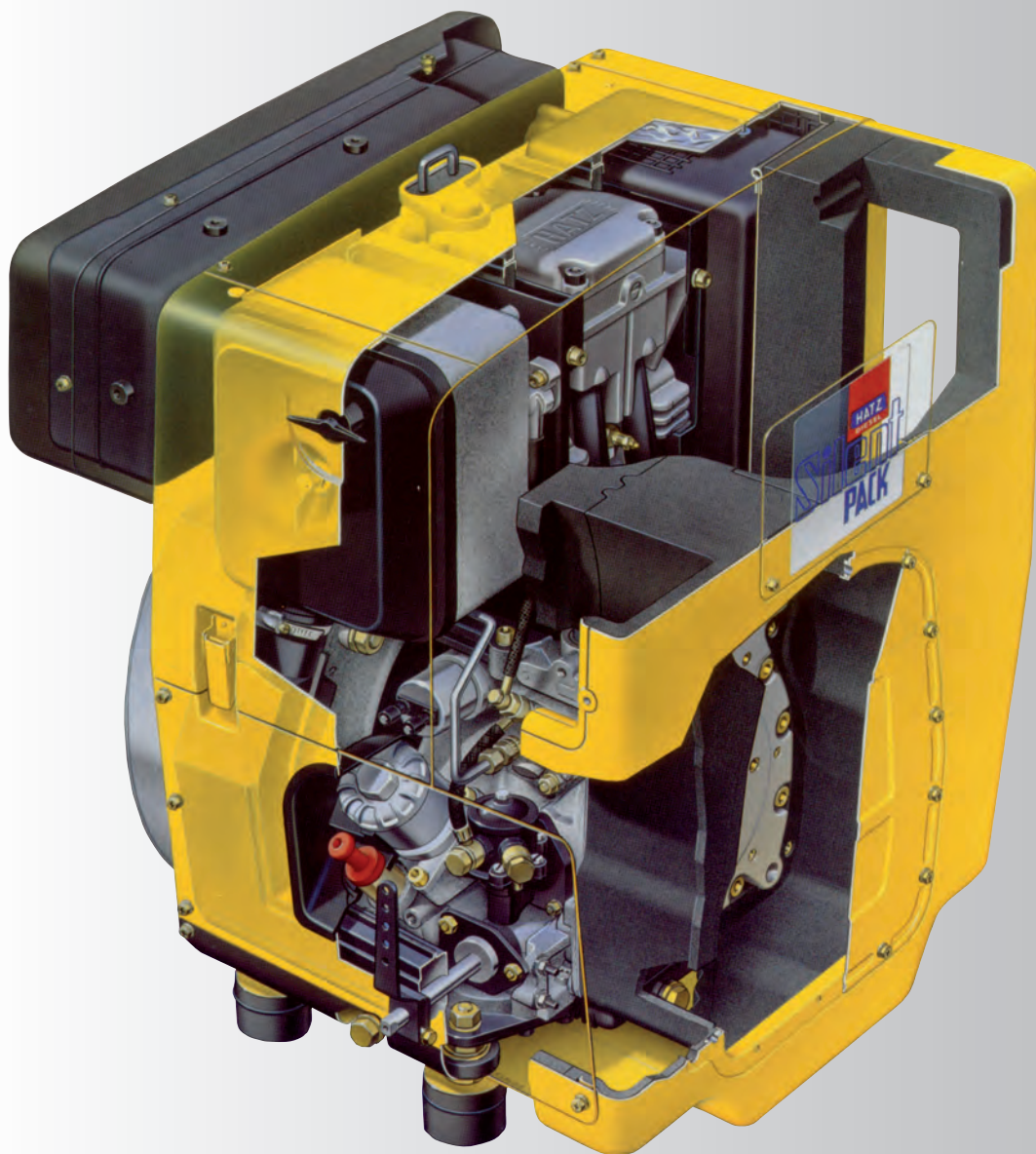


1D42C



1D81C

► Drawings with detailed - and connection measures can either be demanded or downloaded as pdf- resp. dxf-file which are shown in the Internet.



**MOTORENFABRIK HATZ
GMBH & CO. KG**
Ernst-Hatz-Straße 16
94099 Ruhstorf
GERMANY

Telephone: +49 8531 319-0
Telefax: +49 8531 319-418
marketing@hatz-diesel.de

www.hatz-diesel.com



700 308 71 ENG - 03.10 - 2 Printed in Germany
Modifications, which serve the technical improvements, are reserved.